

figure **277**

ends form threaded straight



CHECK VALVE zCHE

body material	nominal pressure	nominal diameter	max. temperature
A grey cast iron	C 16 bar	DN 10-50	200°C



correspond to the pressure equipment directive 2014/68/UE marking CE for DN≥32

FEATURES

- closing tightness acc. to EN -12334
- compact settlement
- environment-friendly
- no maintenance

APPLICATION

- Industry
- Heating
- Industrial water
- Steam
- Industrial oils
- Compressed air
- Neutral fluids

Data given can be changed without notice.

Edition 06/2016

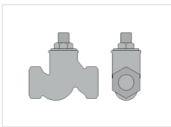
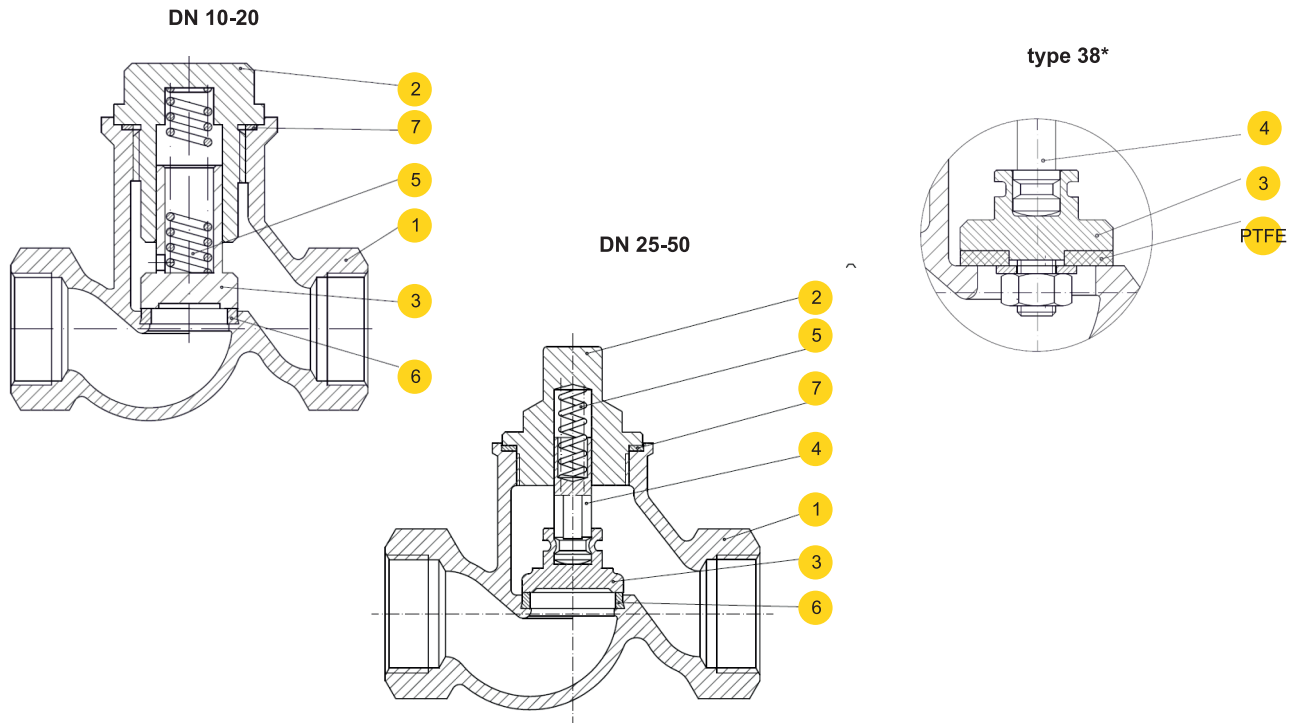


figure **277**
ends form threaded straight

MATERIALS

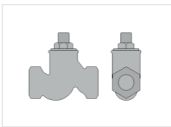


body material		A			
type		31 (DN 10-20)	31 (DN 25-50)	41 (DN 10-20)	41 (DN 25-50)
1	body	EN – GJL-250 5.3101 (ex.JL1040)			
2	bonnet	EN – GJL-250 5.3101 (ex.JL1040)			
3	disc	X20Cr13 1.4021			
4	stem	---	X20Cr13 1.4021	---	X20Cr13 1.4021
5	spring	X17CrNi16-2 1.4057		---	
6	seat ring	X12Cr13 1.4006			
7	gasket	carbamide-caoutchouc			
200°C					

* on request max. temperature 120°C

Data given can be changed without notice.

Edition 06/2016



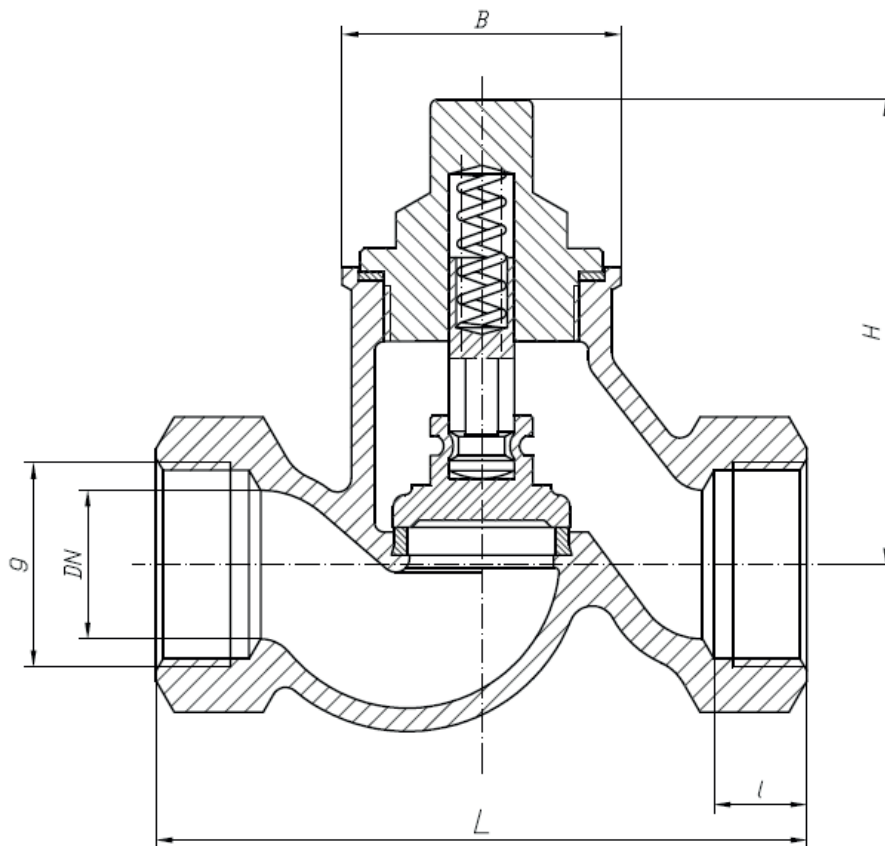
figure


277

ends
form

threaded
straight

DIMENSIONS



DN	G	L	l	H	B		Kvs
mm		mm				kg	m ³ /h
10	3/8"	85	12	53	36	0,4	2,24
15	1/2"	90	14	56	41	0,7	4,58
20	3/4"	100	16	56	41	0,9	5,57
25	1"	120	18	82	50	1,2	9,29
32	1 1/4"	140	20	99	60	1,7	14,5
40	1 1/2"	170	22	112	68	2,2	24,4
50	2"	200	24	121	84	3,6	39,8

Data given can be changed without notice.

Edition 06/2016

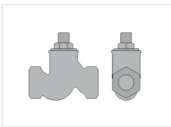
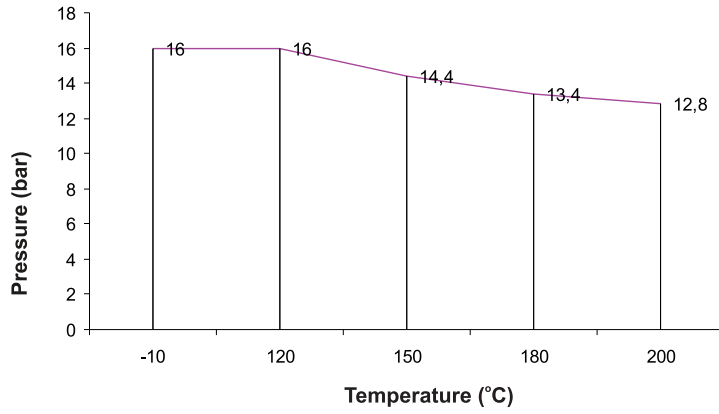


figure	277
ends form	threaded straight

PRESSURE-TEMPERATURE RATINGS



Allowed working conditions range
PN 16 EN-GJL-250

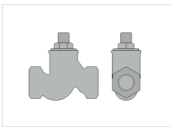


figure	277
ends form	threaded straight

TYPES

figure	body material	nominal diameter DN	nominal pressure PN	type
277	A grey cast iron EN-GJL-250	10-50 mm	C 16bar	31 Tmax 200 °C • loose disc with spring • stem, disc and seat ring - stainless steel
				38 Tmax 200 °C • loose disc with spring • stem, disc and seat ring - stainless steel • disc gasket PTFE
				41 Tmax 200 °C • loose disc without spring • stem, disc and seat ring - stainless steel

ORDERING

To place an order please use our product number (index)

figure	body material	nominal diameter DN	nominal pressure PN	type
277	A	040	C	31

ORDER EXAMPLE

	277	A	040	C	31
check valves, ends threaded, form straight	277				
grey cast iron EN-GJL-250		A			
nominal diameter DN40			040		
nominal pressure PN16				C	
loose disc with spring • stem, disc and seat ring stainless steel					31