



figure

275

ends
formwafer type
straight

CHECK VALVE zCHE

body material	nominal pressure	nominal diameter	max. temperature
H brass	C 16 bar	DN 15-100	200°C
I stainless steel	E 40 bar	DN 15-300	300°C



FEATURES

- compact settlement
- environment-friendly
- no maintenance

APPLICATION*

- industry
- shipbuilding industry
- heating
- power engineer
- refrigeration and air conditioning
- glycol
- industrial water
- diathermic oil
- steam
- compressed air
- neutral fluids

* not all of the applications are suitable for all of the executions

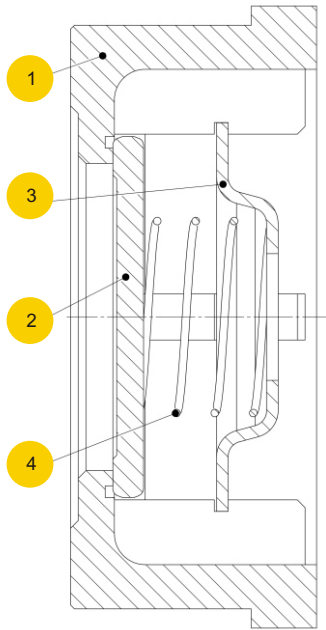
Data given can be changed without notice.

Edition 06/2016

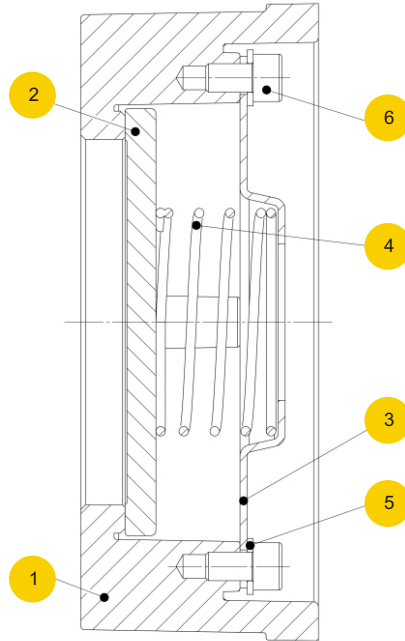


MATERIALS

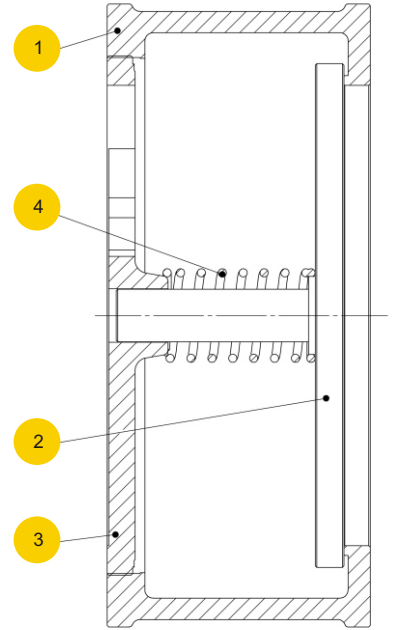
Type 275H DN15-DN100



Type 275I DN15 - DN100



Type 275I DN125 - DN300



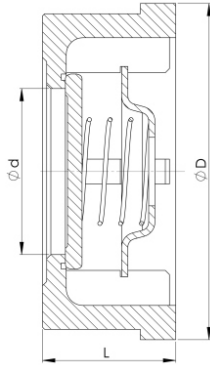
	body material	H	I	I
		DN15 - DN100		DN125 - DN300
	type	50	51	51
1	body	CuZn39Pb2	GX5CrNiMo 19-11-2	GX5CrNiMo 19-11-2
2	disc	X6CrNiMoTi 17-12-2	GX5CrNiMo 19-11-2	X3CrNiMo 17-13-3
3	centring ring	X10CrNi 18-8	X3CrNiMo 17-13-3	GX5CrNiMo 19-11-2
4	spring	X6CrNiMoTi 17-12-2	X3CrNiMo 17-13-3	X3CrNiMo 17-13-3
5	washer	-	A2 (dla DN65 - 100)	-
6	bolt	-	A4	-
	max temperature	200°C	300°C	300°C



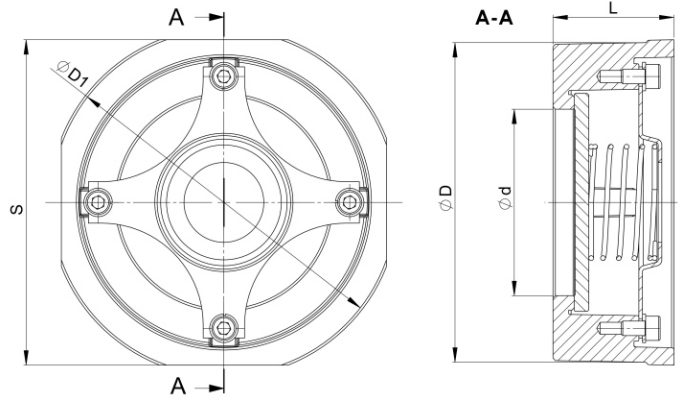
figure **275**
ends form wafer type straight

DIMENSIONS

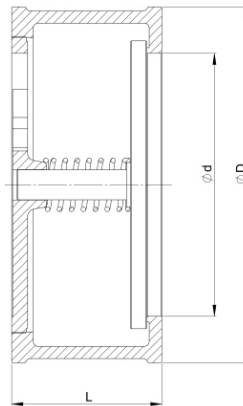
Type 275H DN15 - DN100



Type 275I DN15 - DN100



Type 275I DN125 - DN300



DN	275I							275H					
	g	d	D	S	D1	L		g	d	D	L		
mm	inch	mm					kg	inch	mm				kg
15	G 1/2	15	43,5	45,0	53,0	16,0	0,10	G 1/2	15	40	16	0,10	
20	G 3/4	19	53,5	55,5	63,0	19,0	0,16	G 3/4	20	47	19	0,13	
25	G 1	25	63,5	65,0	73,0	22,0	0,28	G 1	25	56	22	0,21	
32	G 1 1/4	30	76,0	78,5	84,0	28,0	0,52	G 1 1/4	31	72	28	0,48	
40	G 1 1/2	38	86,0	88,5	94,0	31,5	0,70	G 1 1/2	39	82	32	0,63	
50	G 2	47	96,0	98,5	107,0	40,0	1,10	G 2	47	95	40	1,00	
65	G 2 1/2	62	116,5	119,0	126,0	46,0	1,58	G 2 1/2	62	115	46	1,50	
80	G 3	77	132,0	134,5	144,5	50,0	1,78	G 3	74	132	50	2,00	
100	G 4	95	152,5	154,5	164,0	60,0	3,30	G 4	89	152	60	3,20	
125	G 5	122	190,5	-	-	90,0	8,00						
150	G 6	148	219,0	-	-	106,0	12,00						
200	G 8	200	282,0	-	-	140,0	22,00						
250	G 10	250	340,0	-	-	145,0	35,00						
300	G 12	300	400,0	-	-	160,0	45,00						

Data given can be changed without notice.

Edition 06/2016

figure **275**ends
formwafer type
straight
Kvs COEFFICIENT | OPENING PRESSURE 275H DN15 - DN100

DN		Kvs	Opening pressure according to flow direction		
mm	inch		—		
mm	inch		mbar	mbar	mbar
15	G 1/2	3,5	7,5	10,0	5,0
20	G 3/4	7,2	7,5	10,0	5,0
25	G 1	10,3	7,5	10,0	5,0
32	G 1 1/4	16,6	8,5	12,0	5,0
40	G 1 1/4	21,8	9,0	13,0	5,0
50	G 2	33,2	9,5	14,0	5,0
65	G 2 1/2	55,5	10,0	15,0	5,0
80	G 3	72,7	10,5	16,0	5,0
100	G 4	105,5	11,5	18,0	5,0

Kvs COEFFICIENT | OPENING PRESSURE 275I DN15 - DN300

DN		Kvs	Opening pressure according to flow direction		
mm	inch		—		
mm	inch		mbar	mbar	mbar
15	G 1/2	4,4	22,5	25,0	20,0
20	G 3/4	6,8	22,5	25,0	20,0
25	G 1	10,8	22,5	25,0	20,0
32	G 1 1/4	17,0	23,5	27,0	20,0
40	G 1 1/4	26,0	24,5	28,0	20,0
50	G 2	43,0	24,5	29,0	20,0
65	G 2 1/2	60,0	25,0	30,0	20,0
80	G 3	80,0	25,5	31,0	20,0
100	G 4	113,0	26,5	33,0	20,0
125	G 5	183,0	22,0	30,0	10,0
150	G 6	258,0	22,0	30,0	10,0
200	G 8	410,0	22,0	30,0	10,0
250	G 10	698,0	22,0	30,0	10,0
300	G 12	732,0	22,0	30,0	10,0

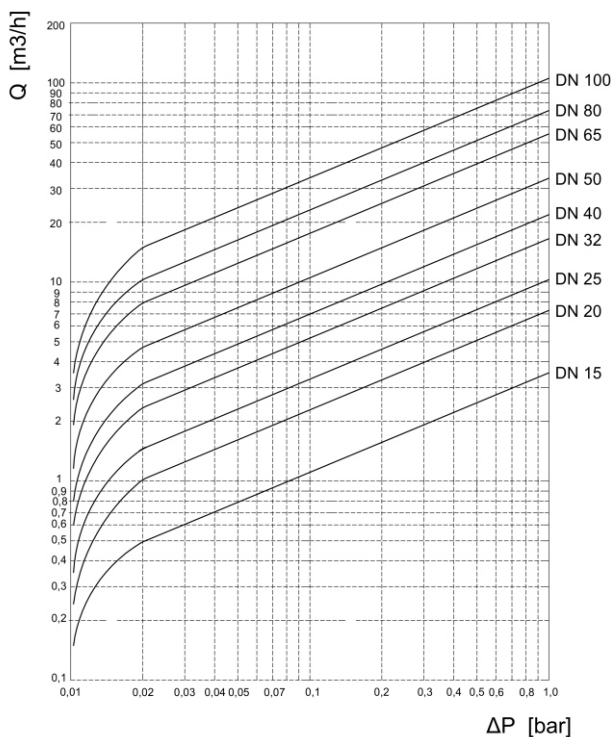
Data given can be changed without notice.

Edition 06/2016



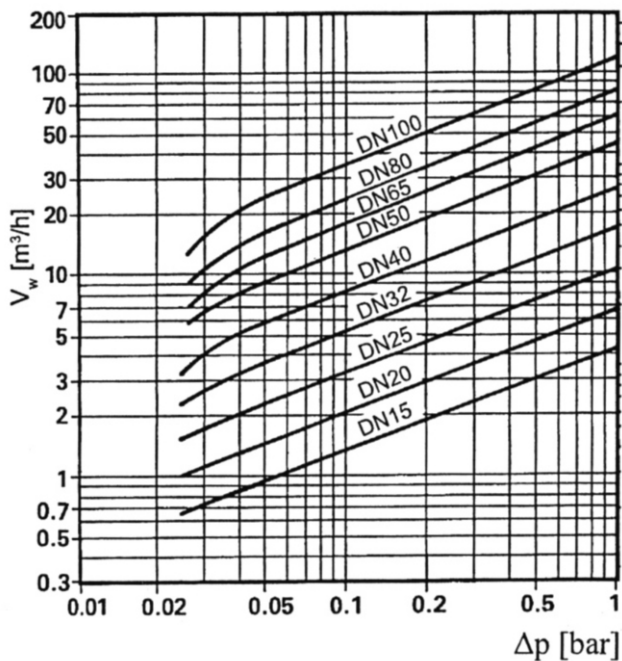
figure **275**
 ends form wafer type
 form straight

HYDRAULIC CHARACTERISTICS 275H DN15 - DN100

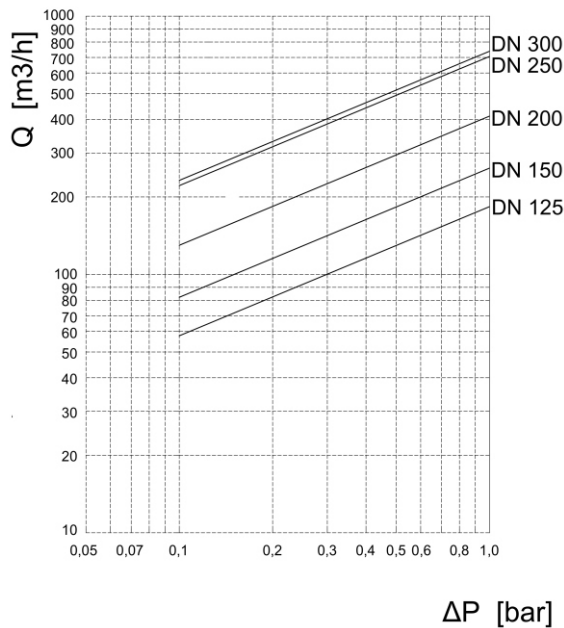


HYDRAULIC CHARACTERISTICS 275I DN15 - DN300

Type 275I DN15 - DN100



Type 275I DN125 - DN300



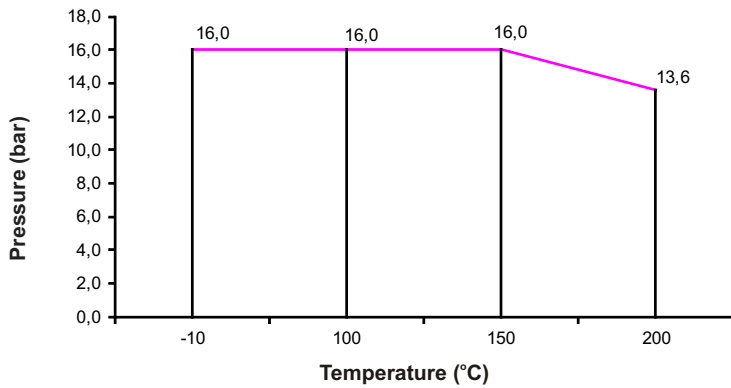
Data given can be changed without notice.

Edition 06/2016

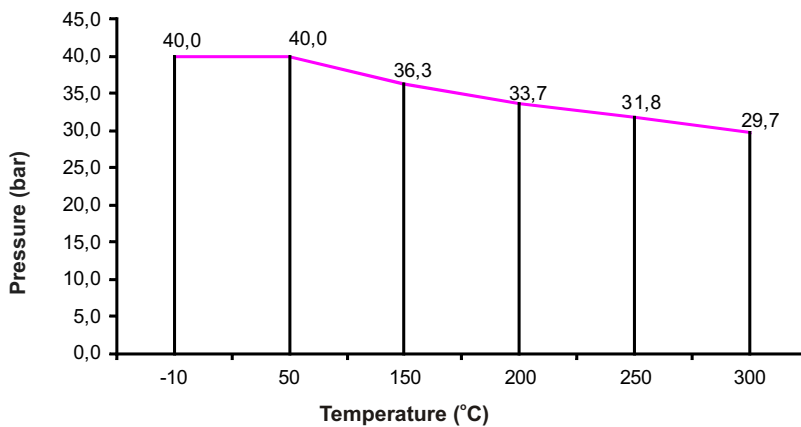


figure 275
 ends form wafer type
 form straight

PRESSURE-TEMPERATURE RATINGS



Allowed working conditions range
 275 H PN 16 DN15 - DN100



Allowed working conditions range
 275 I PN 40 DN15 - DN300

TYPES

figure	body material	nominal diameter DN	nominal pressure PN	type
275	H brass CuZn36Pb2	15-100 mm	C 16 bar	50 disc and spring - stainless steel, seat ring- brass Tmax 200 °C
	I stainless steel GX5CrNiMo19-11-2	15-100 mm	E 40 bar	51 disc, spring and seat ring- stainless steel, loose disc with spring Tmax 300 °C

Data given can be changed without notice.

Edition 06/2016



figure	275
ends form	wafer type straight

TYPES

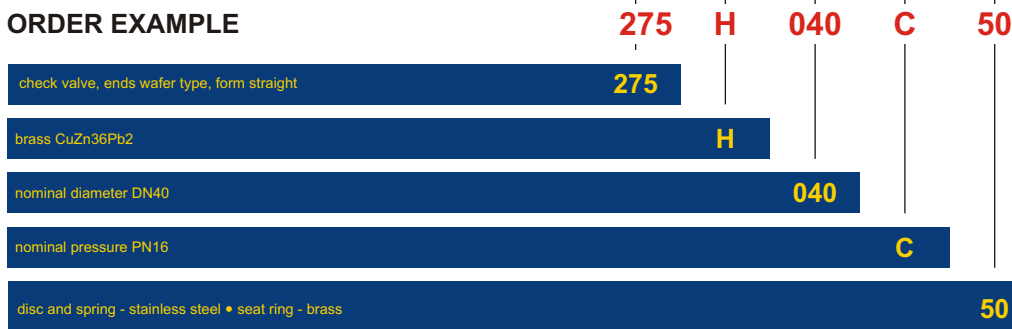
figure	body material	nominal diameter DN	nominal pressure PN	type
275	H brass CuZn36Pb2	15-100 mm	C 16 bar	50 disc and spring - stainless steel, seat ring- brass Tmax 200 °C
	I stainless steel GX5CrNiMo19-11-2	15-300 mm	E 40 bar	51 disc, spring and seat ring- stainless steel, disc with spring Tmax 300 °C

ORDERING

To place an order please use our product number (index)



ORDER EXAMPLE



Data given can be changed without notice.

Edition 06/2016