



figure	240
ends form	flanged angle



PROPORTIONAL SAFETY VALVE zARMAK



body material	nominal pressure	nominal diameter	max. temperature	ex.index
A grey cast iron	C 16 bar	DN 15-200	300°C	2501 2501.11A
R acid resistant steel	E 40 bar	DN 20-100	300°C	2502CrNi
F cast steel	E 40 bar	DN 20-200	400°C	2502 2502.11A
F cast steel	E 40 bar	DN 20-200	450°C	2302

CE 0045
for standard type

CE 1433
for type with insert

FEATURES

- flanges dimension according to PN EN 1092
- valves made according to PN EN ISO 4126-1
- wide range of parameters and DN
- high tightness

For valve with soft sealing:

- quiet work of valve
- raised tightness of closure
- protection of disc sealing surface against limescale settling if the factor is industrial and drinking water as well as against any small mechanical dirt

APPLICATION

- industry
- heating
- power engineering

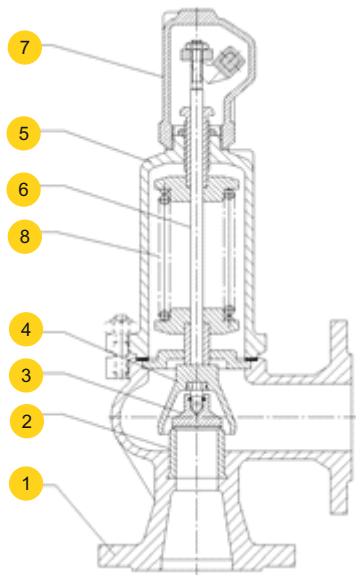
MEDIA

- water (including drinking water)
- air
- steam
- neutral fluids
- aggressive media (suitable to resistance of materials used to building of valves)



figure	240
ends form	flanged angle

MATERIALS PN16



body material		A (PN16)	
type		standard	with soft sealing disc
		01-1, 02-1, 05-1, 07-1	01-2(3), 02-2(3), 05-2(3), 07-2(3)
1	body	EN-GJL-250 5.1301	
2	seat	X39CrMo17-1 1.4122	
3	disc	X39CrMo17-1 1.4122	X6CrNiTi18-10/EPDM or NBR 1.4541
4	lifting bell	EN-GJS-400-15 5.3106	
5	bonnet	EN-GJS-400-15 5.3106	
6	spindle	X20Cr13* 1.4021	
7	lifting cap	EN-GJS-400-15 5.3106	
8	spring	51CrV4** 1.8159	
temperature range		-10 ...+300°C***	-10...120°C EPDM -10...90°C NBR

* for marine type (05, 07) spindle made of: X17CrNi16-2

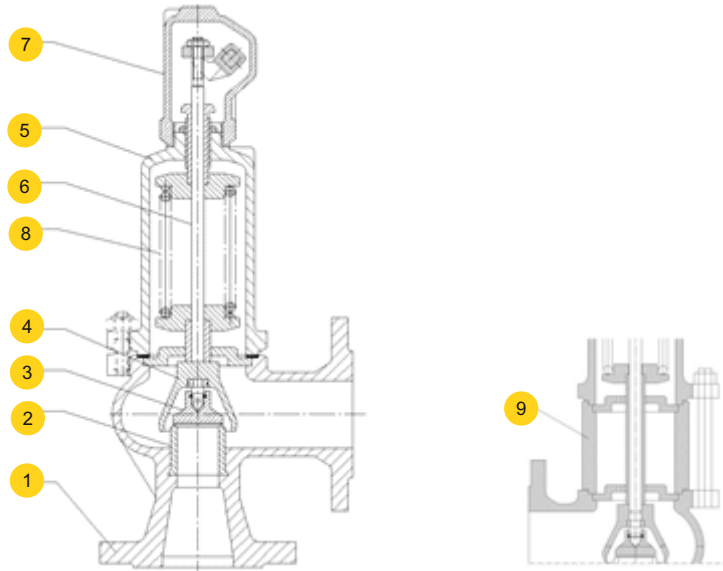
**spring with wire diameter up to Φ 6 of patent wire, max. working temperature is 250 °C

*** for steam boilers valid are restrictions according to WUDT-UC-WO-M - it is 10 bar and 200°C



figure	240
ends form	flanged angle

MATERIALS PN40



	body material	R (PN40)			F (PN40)	
		standard	standard		with soft sealing disc	
			02-1, 07-1	01-1, 05-1, 01-1, 02-1, 05-1, 07-1		01-2 (3), 02-2(3), 05-2(3), 07-2(3)
1	body	GX5CrNi19-10 1.4308	GP240GH 1.0619			
2	seat	X6CrNiTi18-10 1.4541	X39CrMo17-1 1.4122			
3	disc	X6CrNiTi18-10 1.4541	X39CrMo17-1 1.4122	X6CrNiTi18-10/EPDM or /NBR 1.4541		
4	lifting bell	GX5CrNi19-10 1.4308	EN-GJS-400-15 5.3106			
5	bonnet	GX5CrNi19-10 1.4308	EN-GJS-400-15/GP240GH 5.3106/1,0619	EN-GJS-400-15 5.3106		
6	spindle	X6CrNiTi18-10 1.4541	X20Cr13* 1.4021			
7	lifting cap	GX5CrNi19-10 1.4308	EN-GJS-400-15 5.3106			
8	spring	X10CrNi18-8 1.4310	51CrV4 ** 1,8159			
9	insert	-	P245GH 1.0352			
temperature range		-196...+300°C	-40...+400°C		-40...120°C EPDM -40...90°C NBR	

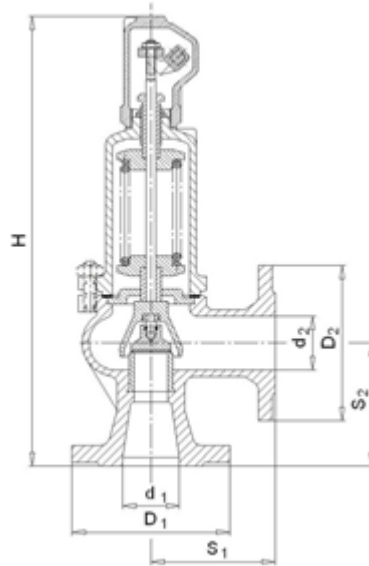
*for marine type (05,07) spindle made of: X17CrNi16-2

**spring with wire diameter up to Φ 6 of patent wire, max. working temperature is 250 °C .



figure	240
ends form	flanged angle

DIMENSIONS PN16



body material A (PN16)								standard 01-1, 02-1, 05-1, 07-1		with soft sealing discs 01-2(3), 02-2(3), 05-2(3), 07-2(3)		
DN	d _o	A	D ₁	S ₁	D ₂	S ₂	H	Set pressure min max		Set pressure min max		
d ₁ x d ₂	mm	mm ²	mm					bar		bar		kg
15x15	12	113	95	90	95	90	330	0,45	16*	1	16	6,0
20x20	12	113	105	95	105	95	335	0,45	16*	1	16	6,0
25x25	16	201	115	100	115	100	350	0,45	16*	1	16	8,0
32x32	20	314	140	105	140	105	390	0,45	16*	1	16	10,0
40x40	25	491	150	115	150	115	420	0,45	16*	1	16	12,0
50x50	32	804	165	125	165	125	485	0,45	16*	1	16	20,0
65x65	40	1257	185	145	185	145	540	0,45	16*	1	16	25,0
80x80	50	1964	200	155	200	155	655	0,45	16*	1	16	36,0
100x100	63	3117	220	175	220	175	705	0,45	16*	1	16	47,0
125x125	77	4657	250	200	250	200	810	0,45	16*	1	16	74,0
150x150	93	6793	285	225	285	225	850	0,45	16*	-	-	100,0
200x200	110	9503	340	225	340	250	980	0,45	16*	-	-	140,0

* for steam boilers valid are restrictions according to WUDT-UC-WO-M - it is 10 bar and 200°C



figure

240

ends
form

flanged
angle

DIMENSIONS PN40

body material F (PN40)										F standard 01-1, 02-1, 05-1, 07-1		F with soft sealing discs 01-2(3), 02-2(3), 05-2(3), 07-2(3)		
DN	d _o	A	D ₁		S ₁	D ₂	S ₂	H	H	Set pressure min max	Set pressure min max	kg		
d ₁ x d ₂	mm	mm ²	PN25	PN40	mm				with insert				bar	bar
20x20	12	113	-	105	95	105	95	335	-	0,45	40	1	40	7,0
25x25	16	201	-	115	100	115	100	350	410	0,45	40	1	40	9,0
32x32	20	314	-	140	105	140	105	390	460	0,45	40	1	40	12,0
40x40	25	491	-	150	115	150	115	420	495	0,45	40	1	40	14,0
50x50	32	804	-	165	125	165	125	485	575	0,45	40	1	40	22,0
65x65	40	1257	-	185	145	185	145	540	645	0,45	40	1	40	28,0
80x80	50	1964	-	200	155	200	155	655	765	0,45	40	1	40	40,0
100x100	63	3117	-	235	175	220	175	705	835	0,45	40	1	40	52,0
125x125	77	4657	-	270	200	250	200	810	955	0,45	40	1	40	80,0
150x150	93	6793	-	300	225	285	225	850	-*	0,45	25	-	-	110,0
200x200	110	9503	360	-	225	340	250	980	-*	0,45	16	-	-	150,0

Execution with insert DN 150x150 and DN 200x200, after coordination with manufacturer.
For temperatures above 350°C the execution with insert is recommended

body material R (PN40)									R standard 02-1, 07-1		
DN	d _o	A	D ₁	S ₁	D ₂	S ₂	H	Set pressure min max	kg		
d ₁ x d ₂	mm	mm ²	mm				bar				
20x20	12	113	105	95	105	95	335	0,2	40	7,0	
25x25	16	201	115	100	115	100	350	0,2	40	9,0	
32x32	20	314	140	105	140	105	390	0,2	40	12,0	
40x40	25	491	150	115	150	115	420	0,2	40	14,0	
50x50	32	804	165	125	165	125	485	0,2	40	22,0	
65x65	40	1257	185	145	185	145	540	0,2	40	28,0	
80x80	50	1964	200	155	200	155	655	0,2	40	40,0	
100x100	63	3117	235	175	220	175	705	0,2	32	52,0	

Execution with insert DN 150x150 and DN 200x200, after coordination with manufacturer.
For temperatures above 350°C the execution with insert is recommended



figure **240**

ends form flanged angle

DISCHARGE COEFFICIENTS

Type of valve	DN	for vapours and gases Kdr	for liquids Kdr
		b _r = 10%	b _r = 10%
240	15 to 200	0,25	0,006

NOTES

- If condensate accumulates, the blow-out installation should be drainholed in the lowest point. The drainhole in valve's body is made only on special request of the client.
- In case of liquids, the blow-out installation should be inclined
- The valve should be mounted in vertical position.

BASIC DATA OF SENSOR

- Working range [mm]: 3 (M8); 6 (M12); 10 (M18)
- Supply voltage [V]: 10 ÷ 30 DC
- Protection grade: IP67 (M8); IP68 (M12 and M18)
- Working temperature: -25 ÷ +70°C
- Standard length of cable [mm]: 2000
- The other executions of sensor for special order after co-ordination with manufacturer.
- Onto client's wish are used sensors working in range of temperature: -25 ÷ +230°C.

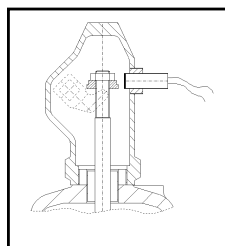
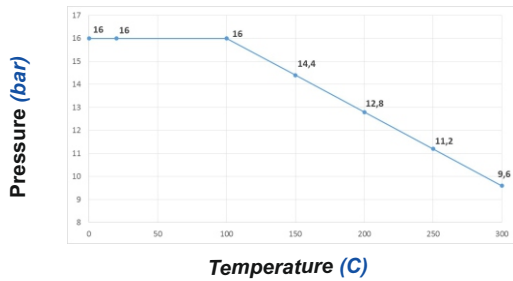


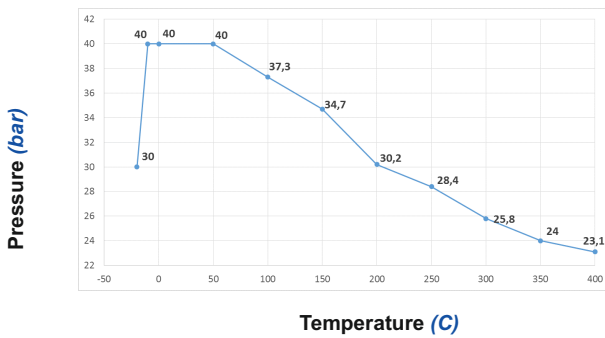


figure	240
ends form	flanged angle

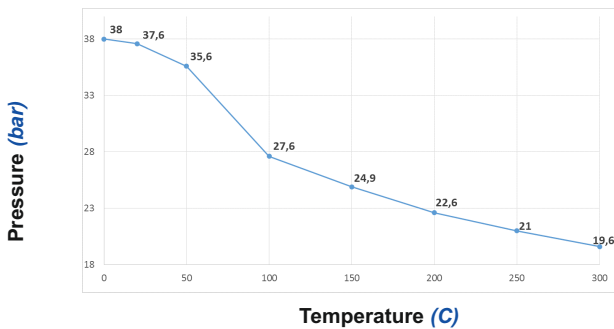
PRESSURE-TEMPERATURE RATINGS



Allowed working conditions range
PN16 EN-GJL-250 5.1301



Allowed working conditions range
PN40 GX5CrNi19-10 1.4303



Allowed working conditions range
PN40 GX5CrNi19-10 1.4303



figure

240

ends
formflanged
angle

CAPACITY TABLE FOR AIR

DNxDN PN16, PN40, PN63	15x15	20x20	25x25	32x32	40x40	50x50	65x65	80x80	100x100	125x125	150x150	200x200
A- bore area [mm ²]	113	113	201	314	419	804	1257	1964	3117	4657	6793	9503
Set pressure [bar(g)]	Air 20°C (kg/h)											
0,45	36,1	36,1	64,2	100	157	257	401	627	995	1487	2168	3034
0,50	37,6	37,6	66,9	105	163	268	418	654	1038	1550	2261	3163
0,55	39,1	39,1	69,5	109	170	278	435	679	1078	1611	2349	3287
0,60	40,5	40,5	72,0	113	176	288	450	704	1117	1669	2434	3405
0,65	41,8	41,8	74,4	116	182	298	465	727	1154	1724	2515	3519
0,70	43,1	43,1	76,7	120	187	307	480	750	1190	1778	2594	3628
0,75	44,4	44,4	79,0	123	193	316	494	772	1225	1830	2669	3734
0,80	45,6	45,6	81,1	127	198	325	507	793	1258	1880	2742	3836
0,90	48,0	48,0	85,4	133	209	342	534	835	1325	1979	2887	4038
1,00	50,4	50,4	89,7	140	219	359	561	876	1391	2078	3031	4240
1,10	53,1	53,1	94,4	147	231	378	590	922	1464	2187	3190	4462
1,20	55,7	55,7	99,1	155	242	396	620	968	1536	2296	3349	4684
1,30	58,3	58,3	104	162	254	415	649	1014	1609	2404	3507	4906
1,40	61,0	61,0	108	169	265	434	678	1060	1682	2513	3666	5129
1,50	63,6	63,6	113	177	276	453	708	1106	1755	2622	3825	5351
1,60	66,3	66,3	118	184	288	471	737	1152	1828	2731	3984	5573
1,80	71,5	71,5	127	199	311	509	796	1244	1974	2949	4301	6017
2,00	76,8	76,8	137	213	334	547	855	1335	2119	3166	4619	6461
2,20	82,1	82,1	146	228	357	584	913	1427	2265	3384	4936	6905
2,40	87,4	87,4	155	243	380	622	972	1519	2411	3602	5254	7350
2,60	92,7	92,7	165	258	403	659	1031	1611	2556	3819	5571	7794
3,00	103	103	184	287	449	735	1148	1794	2848	4255	6206	8682
3,25	110	110	195	305	477	782	1222	1909	3030	4527	6603	9238
3,50	116	116	207	324	506	829	1295	2024	3212	4799	7000	9793
3,75	123	123	219	342	535	875	1369	2139	3394	5071	7397	10 348
4,00	130	130	231	360	563	922	1442	2253	3576	5343	7794	10 903

Capacity calculated at overpressure 0,1 bar or 10%

Data given can be changed without notice.

Edition 06/2016



figure

240

ends
form

flanged
angle

CAPACITY TABLE FOR AIR

DNxDN PN16, PN40, PN63	15x15	20x20	25x25	32x32	40x40	50x50	65x65	80x80	100x100	125x125	150x150	200x200
A- bore area [mm ²]	113	113	201	314	419	804	1257	1964	3117	4657	6793	9503
Set pressure [bar(g)]	Air 20°C (kg/h)											
4,25	136	136	242	379	592	969	1516	2368	3758	5615	8191	11 459
4,50	143	143	254	397	621	1016	1589	2483	3941	5887	8588	12 014
5,00	156	156	278	434	678	1110	1736	2712	4305	6432	9382	13 124
5,50	169	169	301	470	735	1204	1883	2942	4669	6976	10 175	14 235
6,00	182	182	325	507	793	1298	2030	3171	5033	7520	10 969	15 345
6,50	196	196	348	544	850	1392	2177	3401	5398	8064	11 763	16 456
7,00	209	209	372	580	908	1486	2324	3630	5762	8609	12 557	17 566
8,00	235	235	419	654	1022	1674	2617	4090	6490	9697	14 145	19 787
9,00	262	262	466	727	1137	1862	2911	4549	7219	10 785	15 732	22 008
10,00	288	288	512	801	1252	2050	3205	5008	7947	11 874	17 320	24 230
11,00	315	315	559	874	1367	2238	3499	5467	8676	12 962	18 908	26 451
12,00	341	341	606	947	1481	2426	3793	5926	9404	14 051	20 495	28 672
13,00	367	367	653	1021	1596	2614	4086	6385	10 133	15 139	22 083	30 893
14,00	394	394	700	1094	1711	2802	4380	6844	10 861	16 228	23 671	33 114
15,00	420	420	747	1168	1826	2989	4674	7303	11 590	17 316	25 258	35 335
16,00	447	447	794	1241	1940	3177	4968	7762	12 318	18 404	26 846	37 556
18,00		499	888	1388	2170	3553	5555	8680	13 775	20 581	30 021	
20,00		552	982	1534	2399	3929	6143	9598	15 232	22 758	33197	
22,00		605	1076	1681	2629	4305	6730	10 516	16 689	24 935	36 372	
24,00		658	1170	1828	2858	4681	7318	11 434	18 146	27 112	39 547	
25,00		684	1217	1901	2973	4869	7612	11 893	18 875	28 200	41 135	
28,00		763	1358	2122	3318	5432	8493	13 270	21 060	31 466		
30,00		816	1452	2268	3547	5808	9081	14 188	22 517	33 642		
32,00		869	1546	2415	3777	6184	9668	15 106	23 974	35 819		
35,00		948	1687	2635	4121	6748	10 550	16 483	26 160	39 085		
40,00		1080	1922	3002	4695	7687	12 019	18 778	29 802	44 527		

Capacity calculated at overpressure 0,1 bar or 10%



figure

240

ends
formflanged
angle

CAPACITY TABLE FOR WATER

DNxDN PN16, PN40, PN63	15x15	20x20	25x25	32x32	40x40	50x50	65x65	80x80	100x100	125x125	150x150	200x200
A- bore area [mm ²]	113	113	201	314	419	804	1257	1964	3117	4657	6793	9503
Set pressure [bar(g)]	Water 20°C (kg/h)											
0,45	22,7	22,7	41,3	65,4	103	171	270	424	677	1017	1489	2089
0,50	23,8	23,8	43,3	68,4	108	179	282	443	708	1063	1556	2184
0,55	24,9	24,9	45,1	71,4	113	186	294	462	738	1107	1621	2275
0,60	25,9	25,9	46,9	74,2	117	194	305	480	766	1150	1684	2362
0,65	26,9	26,9	48,7	76,9	122	201	316	497	794	1191	1744	2447
0,70	27,8	27,8	50,4	79,6	126	208	327	514	820	1231	1802	2528
0,75	28,7	28,7	52,0	82,1	130	214	337	530	846	1270	1858	2607
0,80	29,6	29,6	53,6	84,6	134	221	347	546	871	1307	1913	2684
0,90	31,3	31,3	56,6	89,4	141	233	367	576	919	1379	2019	2832
1,00	33,0	33,0	59,6	94,0	148	245	385	605	965	1448	2119	2972
1,10	34,7	34,7	62,6	98,8	156	257	404	635	1013	1520	2224	3119
1,20	36,3	36,3	65,5	103	163	269	423	664	1059	1589	2325	3260
1,30	37,9	37,9	68,3	108	170	280	441	692	1103	1655	2421	3395
1,40	39,4	39,4	71,0	112	176	291	458	719	1146	1718	2514	3525
1,50	40,8	40,8	73,6	116	183	302	474	744	1187	1779	2603	3651
1,60	42,2	42,2	76,1	120	189	312	490	769	1227	1839	2690	3772
1,80	44,9	44,9	80,9	128	201	331	520	817	1302	1952	2856	4004
2,00	47,5	47,5	85,5	135	212	349	549	862	1374	2059	3012	4223
2,20	49,9	49,9	89,9	141	223	367	577	905	1442	2162	3161	4432
2,40	52,2	52,2	94,0	148	233	384	603	946	1507	2259	3304	4632
2,60	54,5	54,5	98,0	154	243	400	628	985	1570	2353	3441	4823
3,00	58,7	58,7	105	166	261	430	676	1060	1688	2530	3699	5185
3,25	61,2	61,2	110	173	272	448	704	1104	1758	2634	3852	5399
3,50	63,6	63,6	114	180	283	465	731	1146	1826	2735	3999	5605
3,75	65,9	65,9	118	186	293	482	757	1187	1891	2833	4141	5804
4,00	68,1	68,1	122	192	303	498	782	1227	1954	2927	4279	5997

Capacity calculated at overpressure 0,1 bar or 10%

Data given can be changed without notice.

Edition 06/2016



figure

240

ends
form

flanged
angle

CAPACITY TABLE FOR WATER

DNxDN PN16, PN40, PN63	15x15	20x20	25x25	32x32	40x40	50x50	65x65	80x80	100x100	125x125	150x150	200x200
A- bore area [mm ²]	113	113	201	314	419	804	1257	1964	3117	4657	6793	9503
Set pressure [bar(g)]	Water 20°C (kg/h)											
4,25	70,3	70,3	126	198	312	514	807	1265	2015	3018	4412	6183
4,50	72,4	72,4	130	204	321	529	830	1302	2074	3106	4541	6364
5,00	76,5	76,5	137	216	339	558	876	1374	2188	3277	4790	6712
5,50	80,3	80,3	144	227	356	586	920	1442	2296	3438	5026	7043
6,00	84,0	84,0	151	237	372	612	961	1507	2399	3593	5252	7359
6,5	87,6	87,6	157	247	388	638	1001	1569	2498	3742	5469	7663
7,00	91,0	91,0	163	256	403	662	1040	1629	2594	3884	5677	7955
8,00	97,5	97,5	175	274	431	709	1112	1744	2775	4156	6073	8509
9,00	104	104	186	291	458	753	1181	1851	2946	4410	6445	9030
10,00	109	109	196	308	483	794	1246	1952	3107	4651	6797	9523
11,00	115	115	206	323	507	834	1307	2049	3260	4881	7132	9991
12,00	120	120	215	337	530	871	1366	2141	3407	5100	7452	10 439
13,00	125	125	224	352	552	907	1423	2229	3547	5310	7759	10 869
14,00	130	130	233	365	573	942	1477	2315	3682	5513	8054	11 282
15,00	135	135	241	378	594	976	1530	2397	3813	5708	8339	11 681
16,00	139	139	249	391	613	1008	1581	2476	3939	5897	8615	12 067
18,00		148	264	415	651	1070	1678	2628	4181	6258	9142	
20,00		156	279	438	687	1129	1770	2772	4409	6599	9640	
22,00		164	293	459	721	1185	1857	2908	4626	6924	10 114	
24,00		171	306	480	753	1238	1941	3039	4834	7234	10 568	
25,00		175	313	490	769	1264	1981	3102	4934	7385	10 787	
28,00		185	331	519	815	1338	2098	3285	5225	7819		
30,00		192	343	538	844	1386	2172	3420	5410	8095		
32,00		198	354	556	872	1432	2244	3514	5588	8363		
35,00		208	371	582	912	1498	2348	3677	5847	8749		
40,00		222	397	622	976	1603	2512	3933	6254	9357		

Capacity calculated at overpressure 0,1 bar or 10%



figure

240

ends
formflanged
angle

CAPACITY TABLE FOR SATURATED STEAM

DNxDN PN16, PN40, PN63	15x15	20x20	25x25	32x32	40x40	50x50	65x65	80x80	100x100	125x125	150x150	200x200
A- bore area [mm ²]	113	113	201	314	419	804	1257	1964	3117	4657	6793	9503
Set pressure [bar(g)]	Saturated steam kg/h											
0,45	22,5	22,5	40,0	62,5	97,8	160	250	391	621	928	1353	1893
0,50	23,4	23,4	41,6	65,0	102	166	260	407	645	964	1406	1967
0,55	24,3	24,3	43,1	67,4	105	173	270	422	669	1000	1458	2040
0,60	25,1	25,1	44,7	69,8	109	179	279	436	693	1035	1509	2111
0,65	26,0	26,0	46,2	72,1	113	185	289	451	716	1070	1560	2183
0,70	26,8	26,8	47,7	74,5	117	191	298	466	740	1106	1613	2256
0,75	27,7	27,7	49,3	77,1	121	197	309	482	765	1143	1668	2333
0,80	28,7	28,7	51,0	79,7	125	204	319	499	792	1183	1725	2413
0,90	30,8	30,8	54,7	85,5	134	219	342	535	849	1268	1849	2587
1,00	32,0	32,0	57,0	89,0	139	228	356	557	884	1320	1926	2694
1,10	33,5	33,5	59,5	93,0	145	238	372	582	923	1379	2012	2815
1,20	34,9	34,9	62,2	97,1	152	249	389	607	964	1440	2101	2939
1,30	36,5	36,5	64,9	101	159	260	406	634	1006	1504	2193	3068
1,40	38,1	38,1	67,7	106	165	271	424	662	1050	1569	2289	3202
1,50	39,7	39,7	70,7	110	173	283	442	691	1096	1637	2389	3341
1,60	41,5	41,5	73,8	115	180	295	461	721	1144	1709	2493	3487
1,80	45,2	45,2	80,4	126	196	322	503	786	1247	1863	2718	3802
2,00	48,2	48,2	85,8	134	210	343	536	838	1330	1988	2899	4056
2,20	51,3	51,3	91,2	143	223	365	570	891	1415	2113	3083	4313
2,40	54,5	54,5	97,0	151	237	388	606	947	1504	2247	3277	4584
2,60	57,9	57,9	103	161	252	412	645	1007	1598	2388	3483	4873
3,00	64,3	64,3	114	179	280	458	716	1118	1775	2652	3868	5411
3,25	68,3	68,3	121	190	297	486	760	1187	1883	2814	4105	5742
3,50	72,5	72,5	129	201	315	516	806	1259	1999	2986	4356	6094
3,75	76,5	76,5	136	213	333	545	852	1330	2111	3155	4602	6437
4,00	80,4	80,4	143	223	349	572	894	1397	2217	3313	4832	6760

Capacity calculated at overpressure 0,1 bar or 10%



figure

240

ends
form

flanged
angle

CAPACITY TABLE FOR SATURATED STEAM

DNxDN PN16, PN40, PN63	15x15	20x20	25x25	32x32	40x40	50x50	65x65	80x80	100x100	125x125	150x150	200x200
A- bore area [mm ²]	113	113	201	314	419	804	1257	1964	3117	4657	6793	9503
Set pressure [bar(g)]	Saturated steam kg/h											
4,25	84,4	84,4	150	235	367	600	939	1467	2328	3478	5073	7097
4,50	88,6	88,6	158	246	385	630	986	1540	2444	3652	5327	7452
5,00	96,4	96,4	171	268	419	686	1072	1675	2658	3971	5792	8103
5,50	104	104	186	290	454	744	1162	1816	2882	4307	6282	8788
6,00	112	112	200	312	488	798	1248	1951	3096	4625	6746	9438
6,50	120	120	214	334	522	856	1338	2090	3317	4956	7228	10 112
7,00	128	128	228	356	556	911	1425	2226	3532	5278	7699	10 770
8,00	144	144	256	400	625	1024	1600	2500	3968	5929	8648	12 098
9,00	160	160	284	444	694	1136	1776	2775	4404	6581	9599	13 428
10,00	175	175	312	487	762	1248	1952	3049	4839	7230	10 546	14 754
11,00	191	191	340	531	830	1359	2125	3321	5271	7875	11 486	16 069
12,00	207	207	368	574	898	1471	2299	3592	5701	8518	12 424	17 381
13,00	222	222	395	618	966	1582	2473	3863	6132	9161	13 363	18 694
14,00	238	238	423	661	1034	1693	2647	4137	6565	9809	14 307	20 015
15,00	254	254	451	705	1102	1805	2821	4408	6996	10 453	15 248	21 331
16,00	269	269	479	748	1170	1915	2995	4679	7426	11 095	16 184	22 640
18,0		300	535	835	1306	2138	3343	5223	8289	12 384	18 064	
20,00		332	590	922	1442	2361	3691	5768	9153	13 676	19 949	
22,00		363	645	1008	1576	2581	4036	6306	10 008	14 952	21 810	
24,00		394	701	1095	1712	2804	4384	6850	10 871	16 242	23 692	
25,00		410	729	1139	1781	2916	4559	7123	11 305	16 891	24 638	
28,00		457	813	1270	1986	3252	5084	7944	12 607	18 836		
30,00		488	869	1357	2122	3475	5434	8490	13 474	20 131		
32,00		520	924	1444	2258	3698	5782	9033	14 337	21 420		
35,00		566	1008	1574	2461	4030	6301	9845	15 624	23 344		
40,00		646	1148	1794	2805	4593	7181	11 220	17 808	26 606		

Capacity calculated at overpressure 0,1 bar or 10%

Data given can be changed without notice.

Edition 06/2016



figure	240
ends form	flanged angle

TYPES

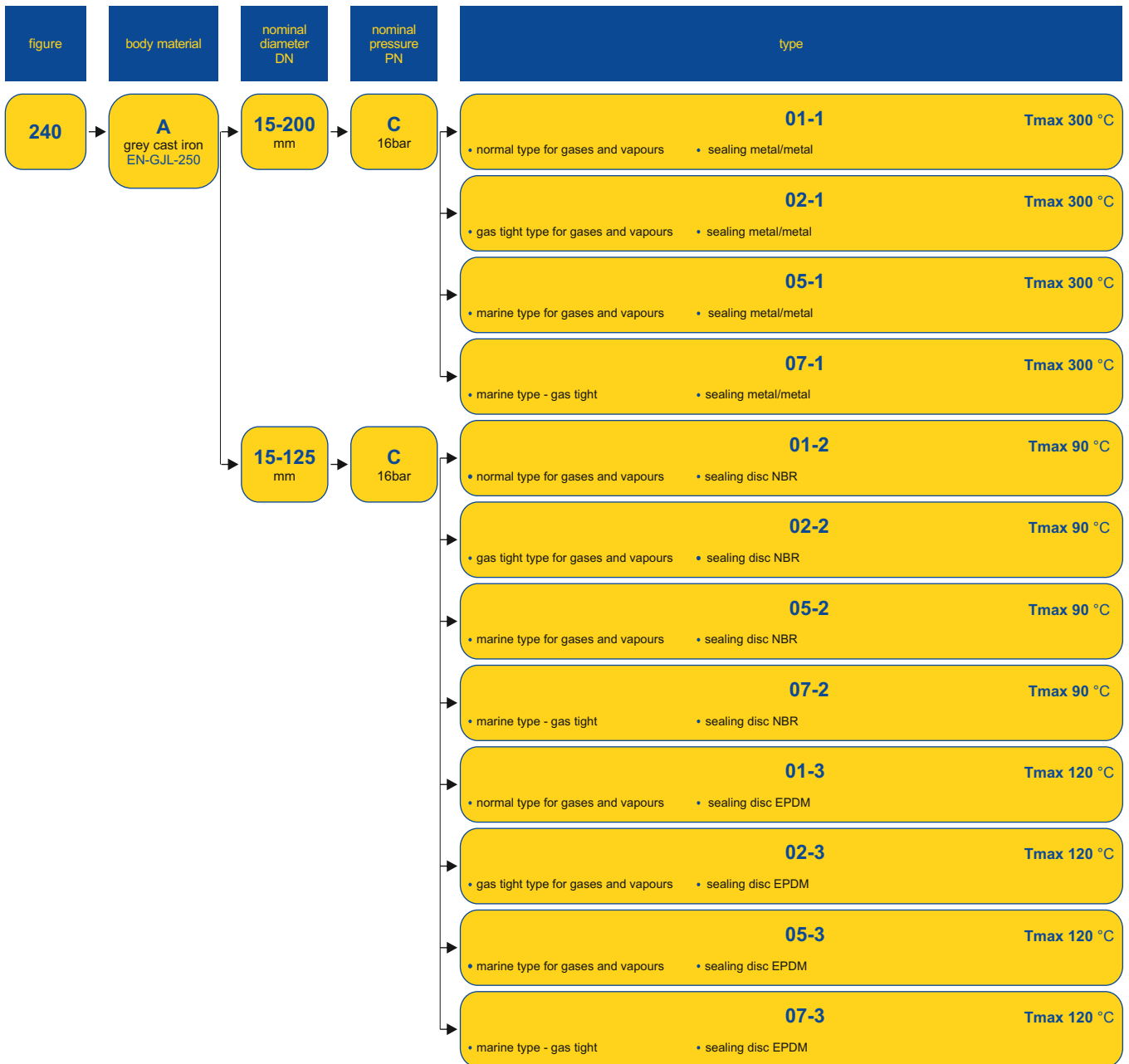




figure	240
ends form	flanged angle

TYPES

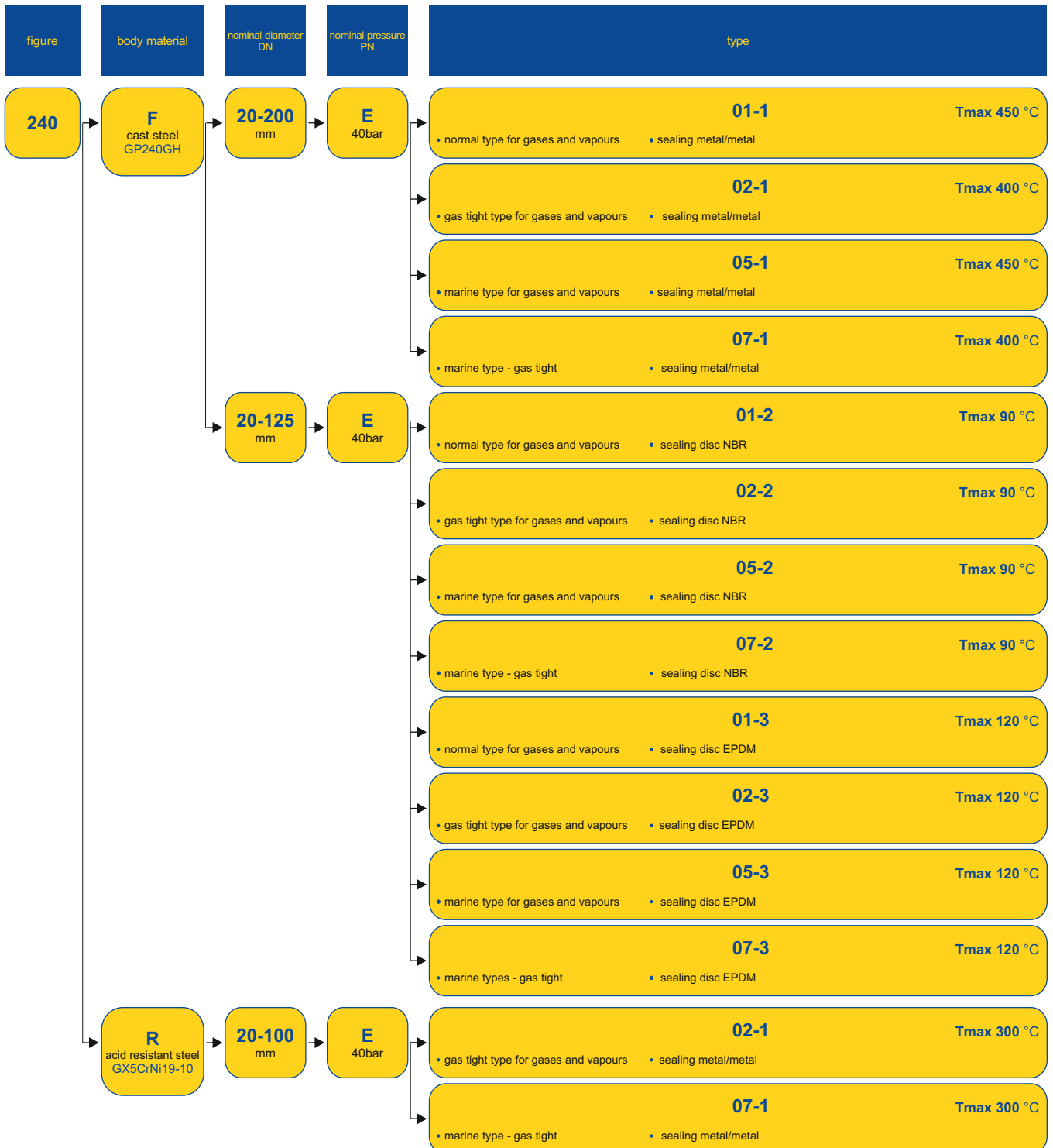




figure	240
ends form	flanged angle

ORDERING

To place an order please use our product number (index)



ORDER EXAMPLE

