



figure

201

ends  
formthreaded  
straight**STOP VALVE zGLO**

body material	nominal pressure	nominal diameter	max. temperature
<b>A</b> grey cast iron	<b>C</b> 16 bar	<b>DN</b> 10-50	<b>200°C</b>



correspond to the pressure equipment directive 2014/68/UE  
marking CE for DN 32

**FEATURES**

- high tightness (leakproofness class - A acc. to EN -12266 - 1)
- compact settlement
- environment-friendly
- tests acc.to EN - 12266 - 1

**APPLICATION**

- industry
- heating
- industrial water
- steam
- industrial oils
- compressed air
- neutral fluids

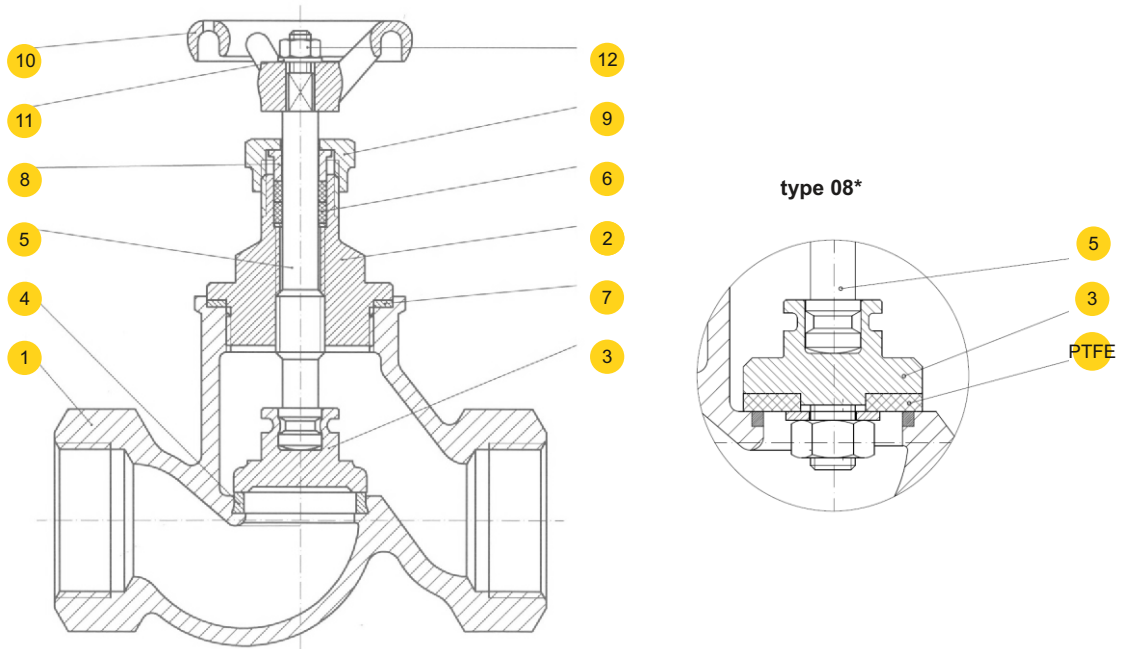
Data given can be changed without notice.

Edition 06/2016



figure **201**  
ends form threaded straight

**MATERIALS**



	body material	A
	type	00
1	body	EN- GJL- 250 5.1301 (ex.JL 1040)
2	bonnet	EN- GJL- 250 5.1301 (ex.JL 1040)
3	disc	X20Cr13 1.4021
4	seat ring	X12Cr13 1.4006
5	stem	X20Cr13 1.4021
6	gland packing	all graphite
7	gasket	carbamide - rubber
8	packing glad	carbon steel
9	nut	carbon steel
10	hand-wheel	EN- GJL- 250 5.1301 (ex.JL 1040)
11	washer	carbon steel + zinc galvanised
12	nut	carbon steel + zinc galvanised
	<b>max. temperature</b>	200°C

\* on request

Data given can be changed without notice.

Edition 06/2016



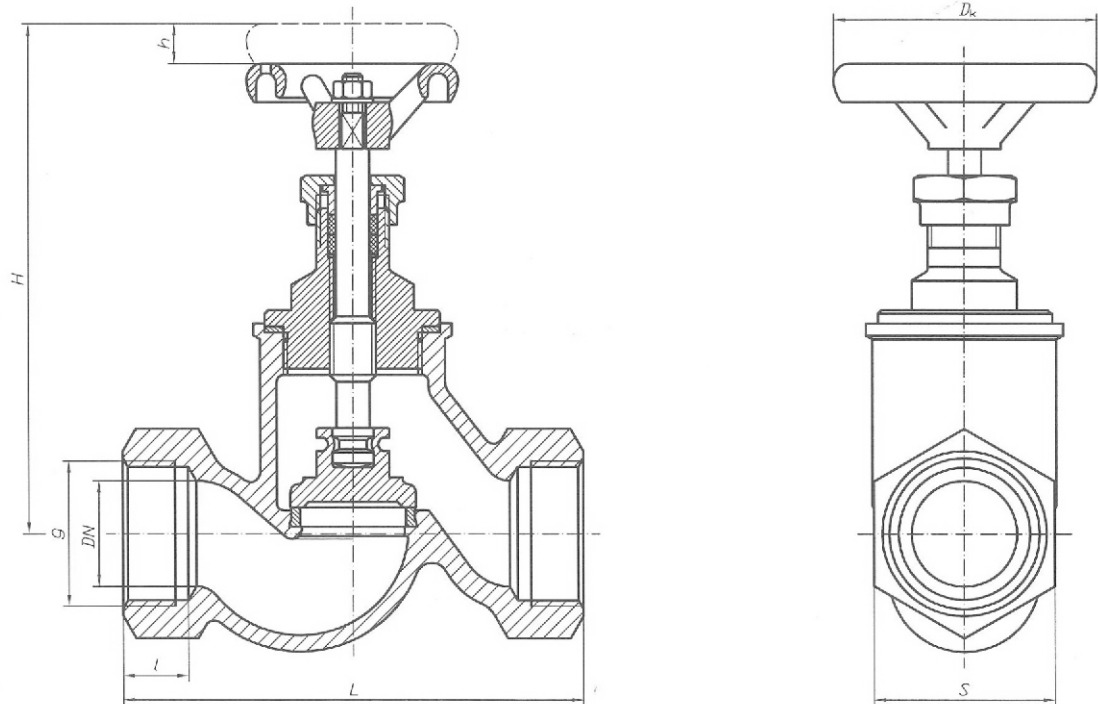
figure


201

ends  
form

threaded  
straight

## DIMENSIONS



DN	g	l	H	L	Dk	S	h	Kv	
mm	mm							m <sup>3</sup> /h	kg
10	G 3/8	12	112	85	64	30	7	2,4	0,7
15	G 1/2	14	118	90	64	32	9	4,5	0,9
20	G 3/4	16	118	100	64	41	9	6,1	1,0
25	G 1	18	138	120	80	46	9	10,1	1,45
32	G 1 1/4	20	165	140	80	55	13	17,9	2,1
40	G 1 1/2	22	185	170	100	60	18	25,4	3,0
50	G 2	24	198	200	100	75	20	40,5	4,3

Data given can be changed without notice.

Edition 06/2016



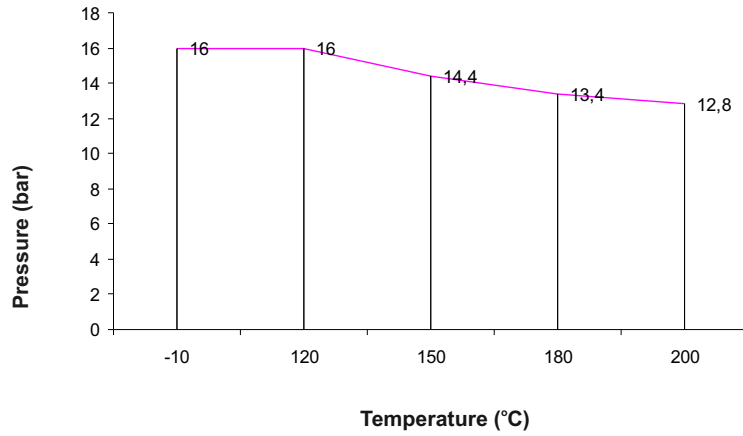
figure

201

ends  
form

threaded  
straight

## PRESSURE-TEMPERATURE RATINGS

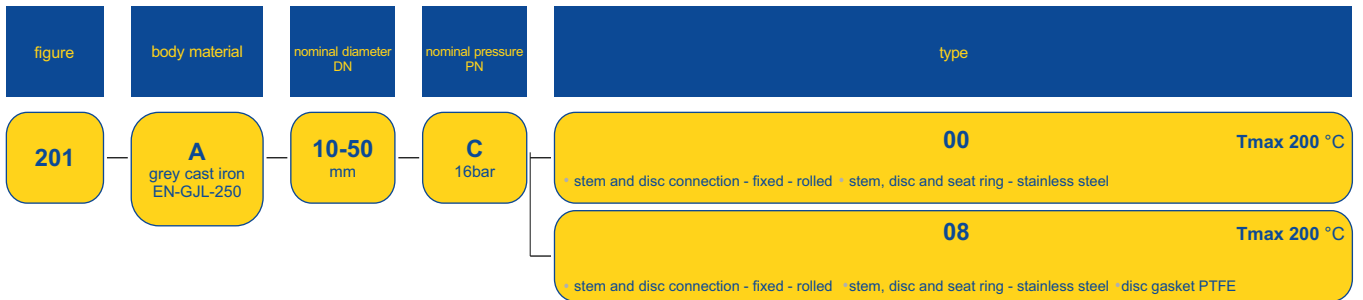


Allowed working conditions range  
PN 16 EN-GJL-250



figure	<b>201</b>
ends form	threaded straight

## TYPES



## ORDERING

To place an order please use our product number (index)



### ORDER EXAMPLE

